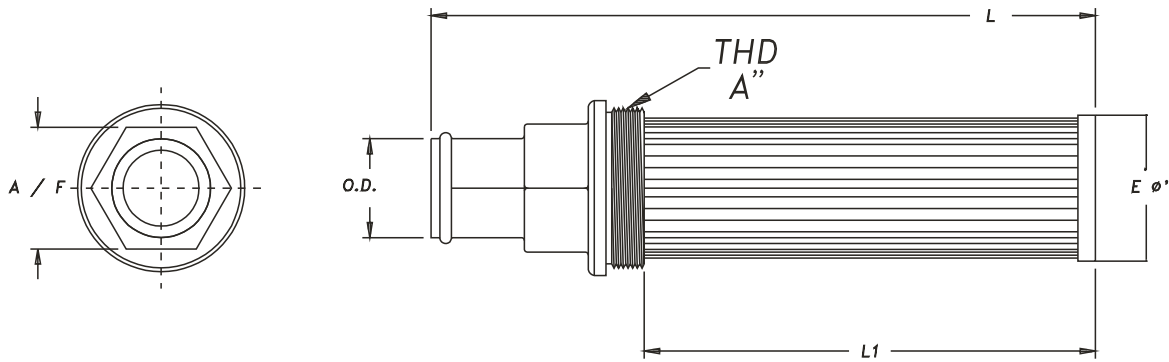


# TANK MOUNTED SERIES



- TANK MOUNTED REUSABLE STRAINER
- SIDE WALL OR TANK TOP MOUNTING
- FLOWS TO 40 GPM ( 160 LPM )
- STAINLESS STEEL PLEATED MEDIA
- 100 MESH ( 149 MICRON ) STANDARD
- FORGED HOSE BARB FITTING



Series	Bushing Size THD. A 12UN-2A	O.D.	LPM / GPM Rating	Screen Area SQ. IN.	Dimensions			
					L	L1	E	A / F
TMH - 16	1-7/8"	25.4	40 / 10	90	235	170	42	31.75
TMH - 20	2-1/2"	31.75	60 / 15	105	255	190	54	37.5
TMH - 20 B	3-3/8"	31.75	80 / 20	230	260	185	78	50.0
TMH - 24	3-3/8"	38.1	120 / 30	230	260	185	78	50.0
TMH - 32	3-3/8"	50.8	160 / 40	230	275	185	78	62.5

### MODEL CODE : ASSEMBLY

TMH	- 16	- ***	- 149	- RB3
SERIES	SIZE	THD / PIPE DIA	MICRONS	OPTIONAL
TMH	16	24S / 08	149 - STD	RB3 - 3 P.S.I. BYPASS VALVE ( OMIT IF NOT REQD. )
	20	32S / 10	( OMIT IF STD ).	
	20B	48 S / 10	125 / 100 / 74 / 63	
	24	48 S / 12	( OPTIONAL )	
	32	48 S / 16		

CONTACT FACTORY FOR OPTIONAL FEATURE