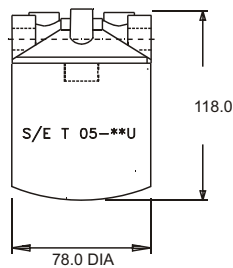
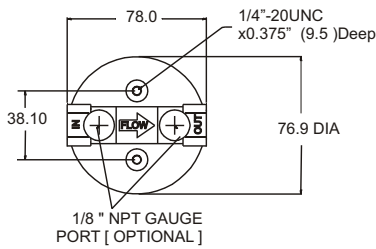


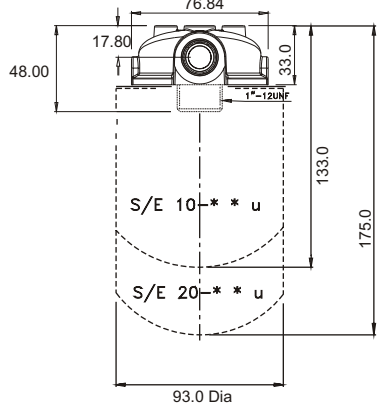
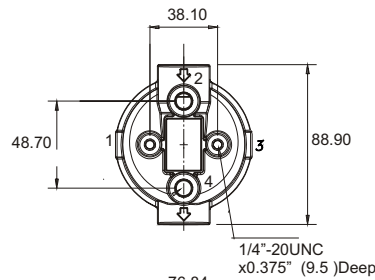
# FILTER - SPIN ON - IFR 4



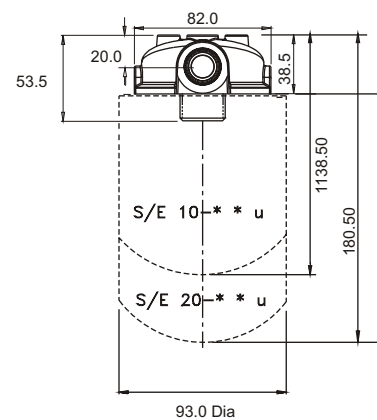
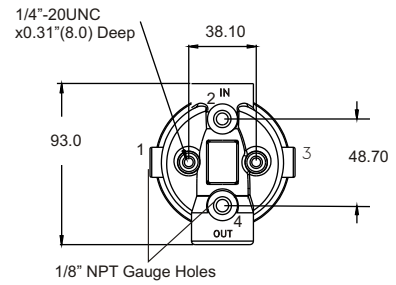
- DISPOSABLE SPIN ON
- DIE CAST ALUMINIUM HEAD
- 5 SIZES FLOWS TO 80 LPM( RETURN ) / 20 LPM ( SUCTION )
- MAX. PRESSURE 10 BAR
- BY PASS STANDARD 1 BAR ( SUCTION 0.2 BAR )
- MAX. TEMP. 80 ° C.
- FOR USE WITH MINERAL / PETROLEUM BASED OILS



IF\*4-02N-05-\*\*-U Wt 0.55kg

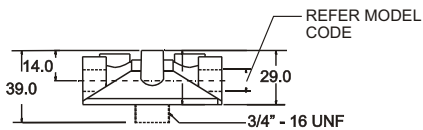


IF\*4-04N-10-\*\*-U Wt 0.8kg  
IF\*4-04N-20-\*\*-U Wt 1.0kg

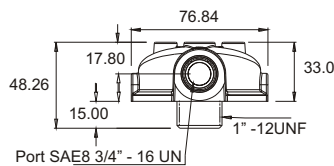


IF\*4-06N-10-\*\*-U Wt 0.85kg  
IF\*4-06N-20-\*\*-U Wt 1.05kg

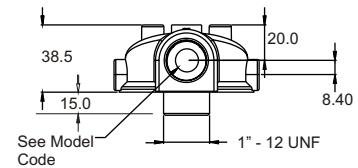
## HEAD CASTING



IF\*4 - 02N Wt 0.15 KG



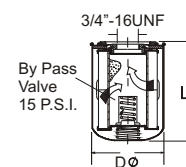
IF\*4 - 04N Wt 0.20 KG



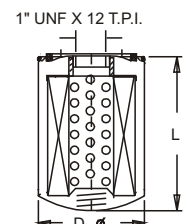
IF\*4 - 06N Wt 0.25 KG

## ELEMENT

CARTRIDGE	D	L	FILTRATION AREA CM <sup>2</sup>		WT KGS
			P10/ P25	A10/ A25	
S/E T - 05 - ** - U	78	88	1000	750	0.4
S/E - 10 - ** - U	93	100	1500	1200	0.6
S/E - 20 - ** - U	93	142	2300	1840	0.8



S/E T - 05 - \*\* - U



S/E - 20 - \*\* - U

DIMENSIONS IN MM FOR REFERENCE ONLY

# FILTER - INLINE SPIN ON - IFR 4



## MODEL CODE : ASSEMBLY

IF R4	- 04	N	- 10	- 10	U	- *	- *
SERIES	PORT SIZE	PORT CONNECTION	SIZE ELEMENT	FILTRATION $\mu$ MICRONS	POST THREAD	BYPASS SPECIAL #	MTG. HOLES -*
B - NO BYPASS R - RETURN	02 - 1/4 IN	B - BSP	5 - 15 LPM	010 - 10 $\mu$ NOM 025 - 25 $\mu$ NOM	U - 3/4"-16 UNF	R3 - 15 PSI (ByPass In Element)	U - 1/4"-20 UNC
	03 - 3/8 IN						
	6S - 9/16IN"-18UNF						
B - NO BYPASS R - RETURN	04 - 1/2 IN	N - NPT	10 - 35 LPM	A10 - 10 $\mu$ ABS	U - 1"-12 UNF	R3 - 15 PSI Std OMIT IF STD	
	8S - 3/4 IN-16UNF						
S - SUCTION	06 - 3/4 IN	S - UNF	20 - 70LPM	A25 - 25 $\mu$ ABS			
	12S - 1-1/16IN"-12UN						

INDICATOR : OPTIONAL ( TO BE ORDERED SEPERATELY )

### Position

Indicator ports: X - No Ports ( Std )

CONSULT FACTORY FOR OPTIONAL INDICATOR PORT LOCATIONS

## MODEL CODE : HEAD CASTING

IF R4	- 04	N	- U	- *	- *
SERIES	PORT SIZE	PORT CONNECTION	POST THREAD	BYPASS SPECIAL #	MTG. HOLES -*
B - NO BYPASS	02 - 1/4 IN	B - BSP	U - 3/4"-16 UNF		U - 1/4"-20 UNC
	03 - 3/8 IN				
	6S - 9/16IN"-18UNF				
B - NO BYPASS R - RETURN	04 - 1/2 IN	N - NPT	U - 1"-12 UNF	R3 - 15 PSI Std OMIT IF STD	
	8S - 3/4 IN-16UNF				
S - SUCTION	06 - 3/4 IN	S - UNF			
	12S - 1-1/16IN"-12UN				

## MODEL CODE : ELEMENT

***	- 05	- 10	U
SERIES	ELEMENT SIZE	FILTRATION $\mu$ MICRONS	POST THREAD
S/ET (With Built in By Pass)	05 - 15 LPM	010 - 10 $\mu$ NOM 025 - 25 $\mu$ NOM	U - 3/4"-16 UNF
	10 - 35 LPM	A10 - 10 $\mu$ ABS A25 - 25 $\mu$ ABS	U - 1"-12 UNF
S/E	20 - 70 LPM		



# OPTIONAL / SPECIAL FEATURE - OMIT IF NOT REQUIRED  
CONSULT FACTORY FOR OPTIONAL / SPECIAL FEATURE