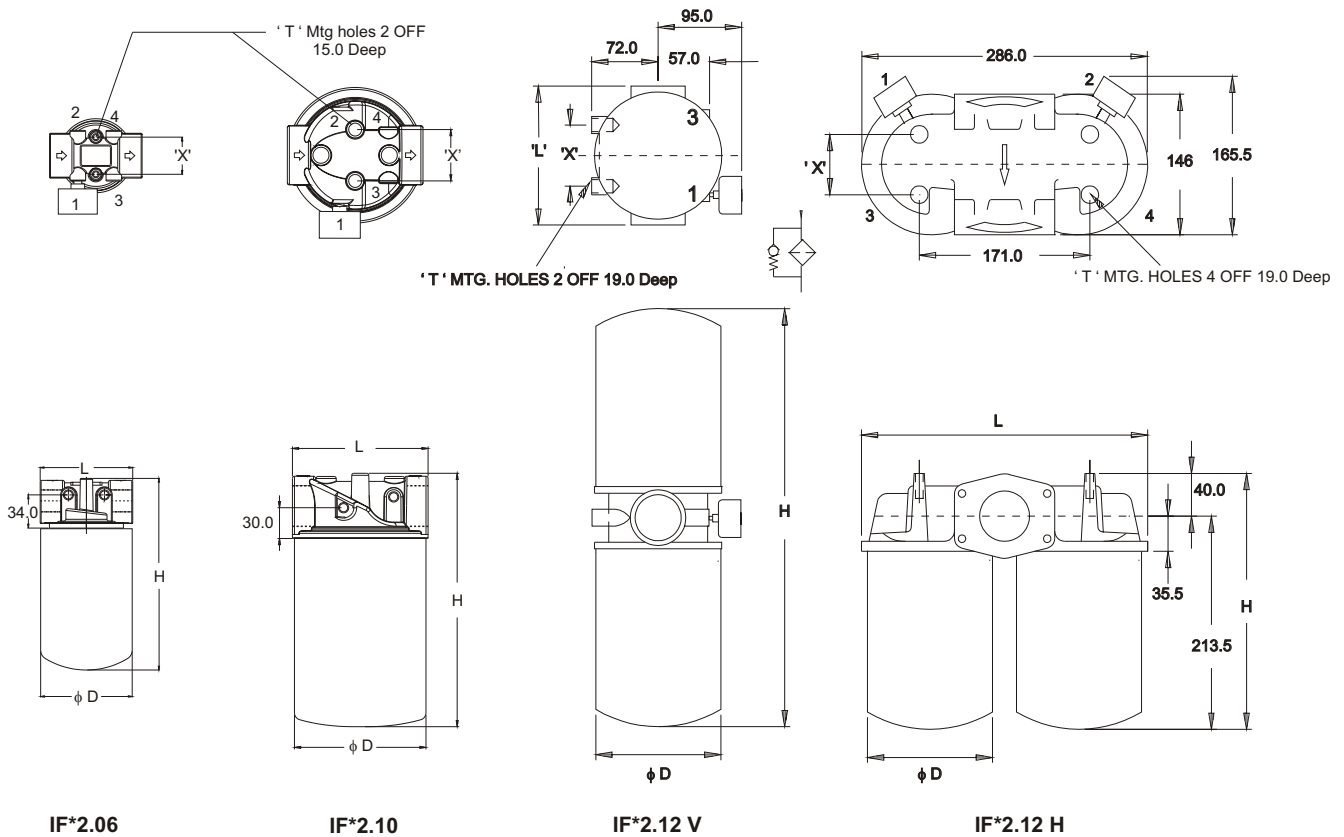


# FILTER - INLINE SPIN ON - IFR 2



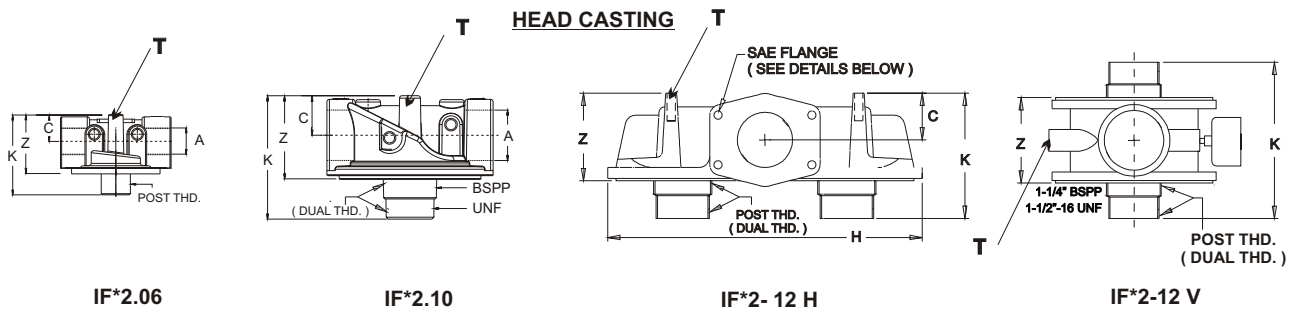
- DISPOSABLE SPIN ON
- DIE CAST ALUMINIUM HEAD
- 7 SIZES FLOWS TO 400 LPM
- MAX. PRESSURE 10 BAR / TEST 15 BAR / BURST 20 BAR
- BY PASS STANDARD 1 BAR ( SUCTION 0.2 BAR )
- MAX. TEMP. 80 ° C.
- FOR USE WITH MINERAL / PETROLEUM BASED OILS



MODEL CODE	L	D	H	X	MOUNTING HOLES		GAUGE PORT		WT KGS
					NOS	T SIZE	NOS	NPT	
IF*2.06.10	95	93	150	38	2 OFF	M 6 X 1.0 (Std) 1/4"-20UNC	2 OFF	1/8"	0.80
IF*2.06.20	95	93	196	38	2 OFF		2 OFF	1/8"	1.00
IF*2.06.30	95	93	263	50	2 OFF		2 OFF	1/8"	1.20
IF*2.10.50	132	129	249	50	2 OFF	M 8 X 1.25 (Std) 5/16"-18UNC	2 OFF	1/8"	2.20
IF*2.10.65	132	129	294	50	2 OFF		2 OFF	1/8"	2.40
IF*2.12 V.80	148	129	431	65	2 OFF	M 10 X 1.5 (Std) 3/8"-18UNC	2 OFF	1/8"	3.60
IF*2.12 V.100	148	129	522	65	2 OFF		2 OFF	1/8"	4.00
IF*2.12 H.80	286	129	273	60	4 OFF		2 OFF	1/8"	5.50
IF*2.12 H.100	286	129	317	60	4 OFF	2 OFF	1/8"	6.20	

DIMENSIONS IN MM FOR REFERENCE ONLY

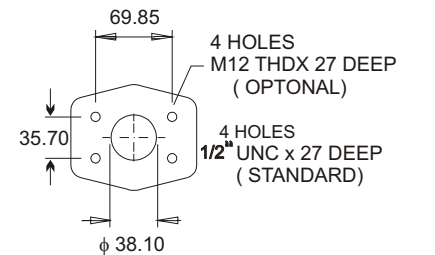
# FILTER - INLINE SPIN ON - IFR 2



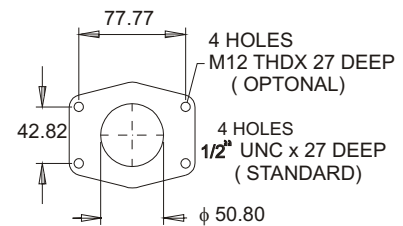
MODEL	PORT THD. 'A'	POST THD	C	K	Z	H	WT KGS
IF* 2.06 - B	3/4"	BSPP 3/4"	22	67	51	-	0.4
IF* 2.06 - U	3/4"	BSPP 1" - 12 UNF					
IF* 2.10	1-1/4"	BSPP DUAL THD	29	100	64	-	1.0
IF* 2.12 V	1-1/2"	BSPP DUAL THD	-	140	70	-	1.2
IF* 2.12 H *	(Refer Table Below)	DUAL THD	50	122	91	286	3.0

IFR 2 - 12 H *	Connection	Port	HP Ref
B	1-1/2" BSP	Thread	12B
N	1-1/2" NPT	Thread	12N
C	1-7/8"-12UNF	Thread	24S
D*	2"SAE Flange	Flange	16SF
E	1-1/4" BSP	Thread	10B
F	1-1/4" NPT	Thread	10N
H	1-5/8"-12UNF	Thread	20S
J*	1-1/2"SAE Flange	Flange	12SF
K*	1-1/2"SAE Flange & 1-1/4"NPT	Flange & Thread	12SF 10N
L*	1-1/2"SAE Flange & 1-5/8"-12U	Flange & Thread	12SF 20S
M*	2"SAE Flange & 1-1/2"NPT	Flange & Thread	16SF 12N
P*	2"SAE Flange & 1-7/8"-12U	Flange & Thread	16SF 24S

\* ADD 1 FOR SAE FLANGE WITH M12 x 1.75 BOLT. OMIT IF UNC STD.



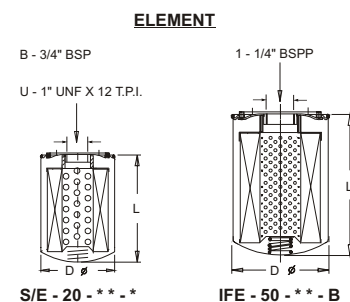
1-1/2" SAE FLANGE



2" SAE FLANGE

SAE FLANGE DETAILS

CARTRIDGE	D	L	FILTRATION AREA CM <sup>2</sup>			WT KGS
			P10/ P25	A10/ A25	M125	
S/E - 10 - ** - *	93	100	1500	1200	650	0.4
S/E - 20 - ** - *	93	146	2300	1840	900	0.6
S/E - 30 - ** - *	93	212	4200	3300	1250	0.8
IFE - 50 - ** - *	129	180	5600	3900	2000	1.2
IFE - 65 - ** - *	129	227	7850	4800	2400	1.4



# FILTER - INLINE SPIN ON - IFR 2



## MODEL CODE : ASSEMBLY

IF	R2	- 10	B	- 50	- 10	B	- *	- *
SERIES	PORT	PORT	SIZE	FILTRATION	POST	BYPASS	MTG. HOLES	
	SIZE	CONNECTION	ELEMENT	μ MICRONS	THREAD	SPECIAL #		-*
B - NO BYPASS	06 - 3/4 IN 12S - 1-1/16"-12UNF	B - BSP  N - NPT	10 - 35 LPM 20 - 70 LPM 30 - 100 LPM	010 - 10 μ NOM 025 - 25 μ NOM	B - 3/4 " BSPP  U - 1" -12 UNF	R3 - 15 PSI Std R4 - 25 PSI S1 - 3 PSI Std S2 - 5 PSI  OMIT IF STD	M - M6 x 1.0(std) U - 1/4"-20 UNC  M - M8x1.25(std) U - 5/16"-18UNC	
	R - RETURN		10 - 1-1/4 IN 20S - 1-5/8"-12UNF	50 - 150 LPM 65 - 200 LPM				A10 - 10 μ ABS
S - SUCTION	12V - 1-1/2 IN 24S - 1-7/8"-12UNF  12H* - 1-1/2 IN	S - SAE  REFER TABLE FOR PORT OPTIONS	80 - 300 LPM 100 - 400 LPM	A25 - 25 μ ABS M125 - 125 μ MESH	B - 1-1/4 " BSPP		M - M10x1.5(std) U - 3/8"-20UNC  OMIT IF STD	

INDICATOR : OPTIONAL ( TO BE ORDERED SEPERATELY )

### Position

Indicator ports: R - 2 off x 1/8" NPT inlet [ 1 - 2 ]  
Standard S - 2 off x 1/8" NPT outlet [ 3 - 4 ]  
B - 4 off x 1/8" NPT inlet & outlet [ 1 - 2 - 3 - 4 ]

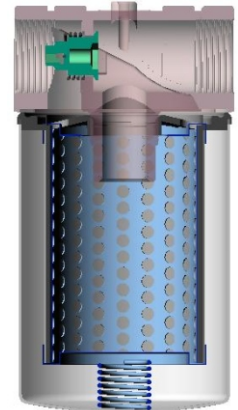
CONSULT FACTORY FOR OPTIONAL INDICATOR PORT LOCATIONS

## MODEL CODE : HEAD CASTING

IF	R2	- 10	B	- B	- *	- *
SERIES	PORT	PORT	POST	BYPASS	MTG. HOLES	
	SIZE	CONNECTION	THREAD	SPECIAL #		-*
B - NO BYPASS	06 - 3/4 IN 12S - 1-1/16"-12UNF	B - BSP  N - NPT	B - 3/4 " BSPP U - 1" -12 UNF	R3 - 15 PSI Std R4 - 25 PSI S1 - 3 PSI Std S2 - 5 PSI #	M - M6 x 1.0 (std) U - 1/4"-20 UNC  M - M8x1.25(std) U - 5/16"-18UNC	
	R - RETURN		10 - 1-1/4 IN 20S - 1-5/8"-12UNF	1-1/4" BSPP & 1-1/2"-16 UN		OMIT IF STD
S - SUCTION	12V - 1-1/2 IN 24S - 1-7/8"-12UNF  12H* - 1-1/2 IN	S - SAE  REFER TABLE FOR PORT OPTIONS				

## MODEL CODE : ELEMENT

***	- 50	- 10	B
SERIES	ELEMENT	FILTRATION	POST
	SIZE	μ MICRONS	THREAD
S/E	10 - 35 LPM 20 - 70 LPM 30 - 100LPM	010 - 10 μ NOM 025 - 25 μ NOM A10 - 10 μ ABS A25 - 25 μ ABS	B - 3/4 " BSPP U - 1" -12 UNF
	IFE	50 - 150LPM 65 - 200LPM	M125 - 125 μ MESH



# OPTIONAL / SPECIAL FEATURE - OMIT IF NOT REQUIRED  
CONSULT FACTORY FOR OPTIONAL / SPECIAL FEATURE