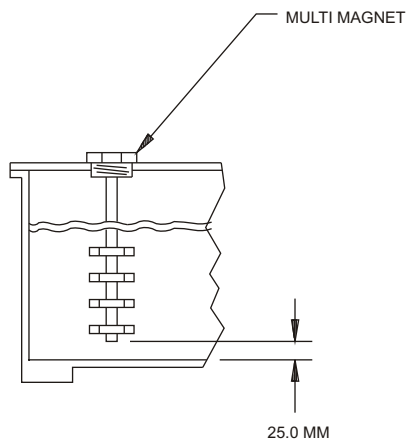
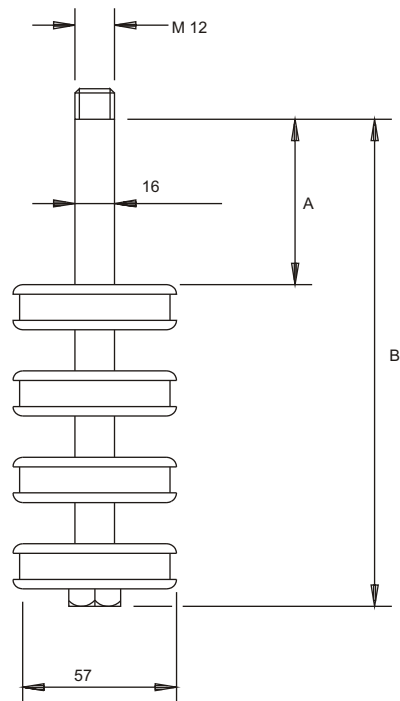


MAGNETIC TANK CLEANER

- NO MOVING PARTS
- DECREASES WEAR ON PUMP/ VALVES ETC.
- ELIMINATES TROBLESOME FERROUS FINES
- KEEPS HYDRAULIC OILS CLEANER
- EASILY REMOVED WITHOUT DOWNTIME OR LOSS OF OIL
- IMPROVED PERFORMANCE WHEN USED WITH DIFFUSER
- EXCEPTIONALLY EFFICIENT LARGE CERAMIC MAGNETS



TYPICAL INSTALLATION



MULTIMAGNET - MAGNETIC TANK CLEANER

MODEL	A	B	WT KGS
MT - 12	70	300	0.80
MT - 18	125	450	0.95
MT - 21	200	525	1.05
MT - 24	275	600	1.15

DIMENSIONS IN MM FOR REFERENCE ONLY