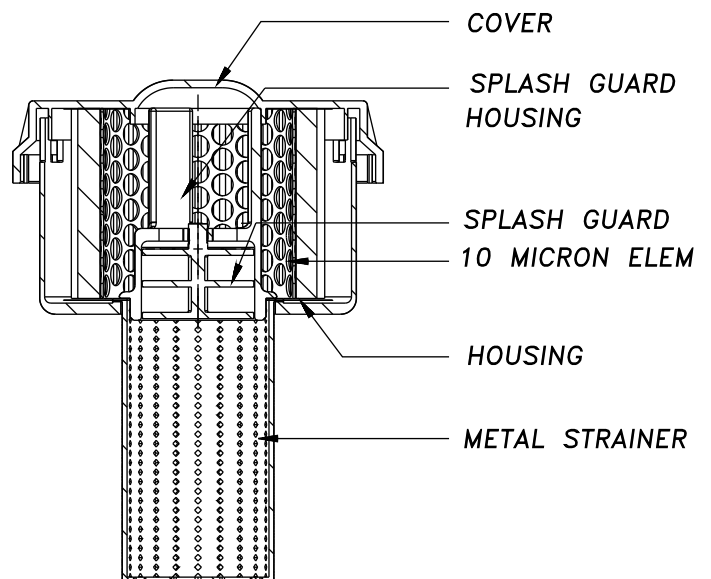
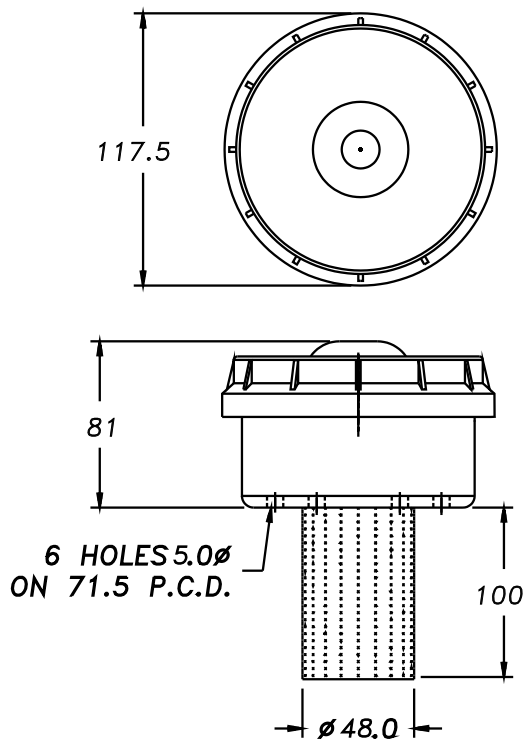
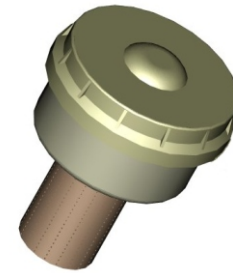


BREATHER

- PLASTIC BREATHER - FOR MOBILE APPLICATION
- FILTRATION 10 MICRONS STANDARD
- AIR FLOWS TO 25 CFM (750 LPM)
- RUGGED NYLON HOUSING
- FILLER STRAINER - STANDARD
- HARDWARE INCLUDES GASKET
- SPLASH GUARD FEATURE STANDARD



MODEL (ASSY.) : - MBF - 10 - SG

MB F	- 10	- SG
	10 - 10 MICRON (PAPER)	
	40 - 40 MICRON (SPONGE)	
	43 - 43 MICRON (SS MESH)	
	63 - 63 MICRON (SS MESH)	
F - FLANGE		SG - SPLASH GUARD

MODEL (ELEM) : - MBE - 10