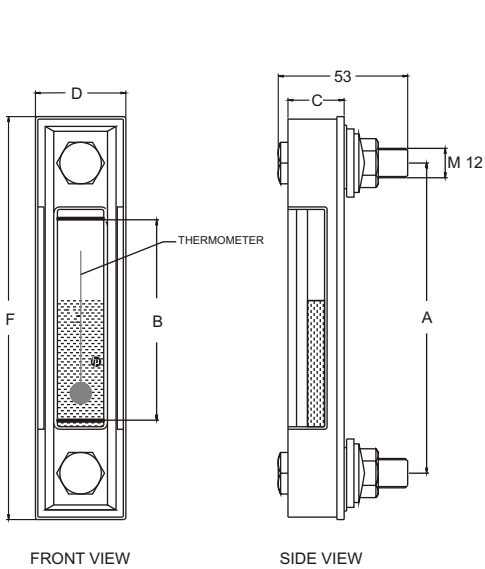
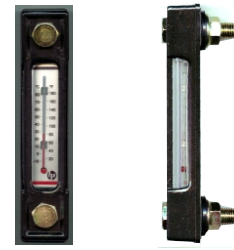


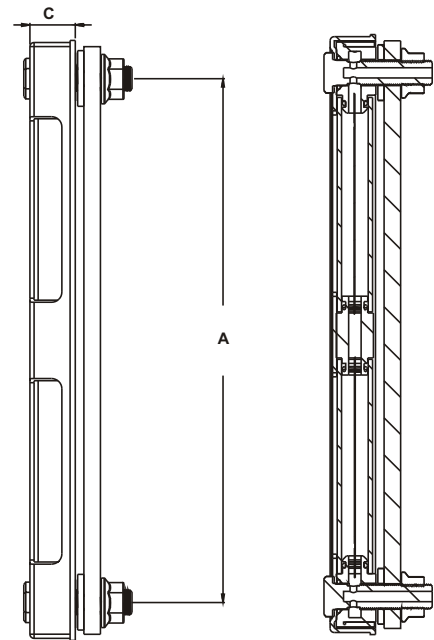
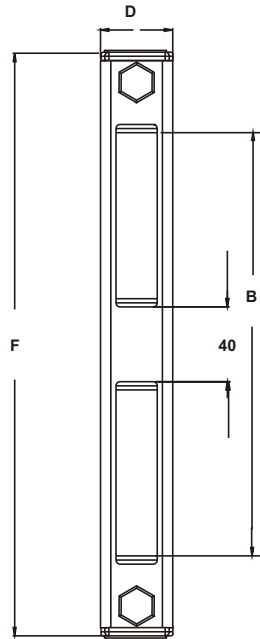
LEVEL GAUGE - LG 6



- 'O' RING TYPE CONSTRUCTION / STURDY DIE CAST COVER
- 3 SIZES 3", 5" & 10" BETWEEN BOLT CENTRES
- FOR NON PRESSURISED TANKS ONLY
- CAN BE MOUNTED ON TAPPED HOLES
- SUITABLE FOR MINERAL / PETROLEUM BASED OILS
- MAXIMUM TEMPERATURE 80° C



LG 6 - 03 & 05

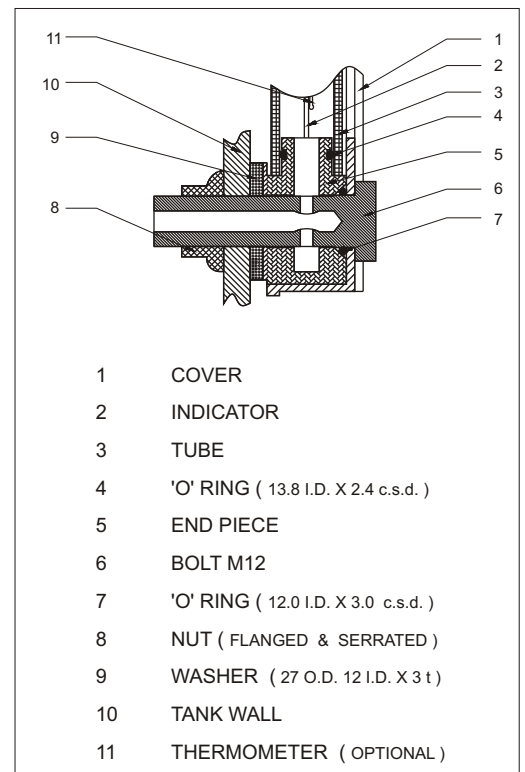


LG 6 - 10

MODEL	A	B	C	D	F	WT KGS
LG 6 - 03	76.2	32	23	35	111	0.23
LG 6 - 05	127.0	76	23	35	162	0.26
LG 6 - 10	254.0	200	23	35	289	0.36

MODEL CODE : ASSEMBLY

LG	- 05	T	- M 10	- X
SERIES	SIZE INCH	FEATURE OPTIONAL #	FEATURE SPECIAL #	FEATURE OPTIONAL#
LG 6	03 - 3"	T - THERMOMETER (OMIT IF NOT REQD)	M12 - STD (M12 X 1.75 BOLT) Omit If Std	No Nuts (For Fitting On Tapped Holes)
	05 - 5"		M10 - SPECIAL (M10 X 1.50 BOLT)	
	10 - 10"		UNC - SPECIAL (1/2" - 13 UNC)	



NOTE : BOLT TORQUE TO BE LIMITED TO 3 FT LBS
OPTIONAL / SPECIAL FEATURE - OMIT IF NOT REQUIRED

DIMENSIONS IN MM FOR REFERENCE ONLY