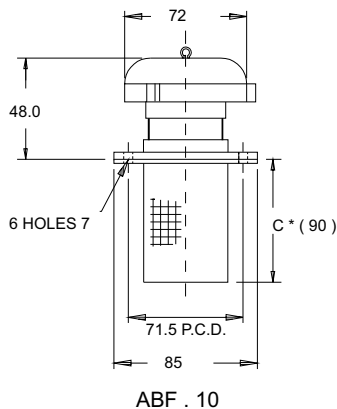
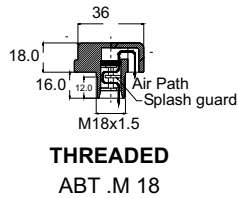
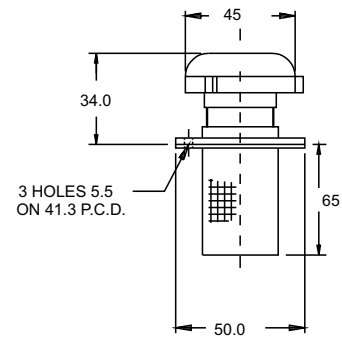
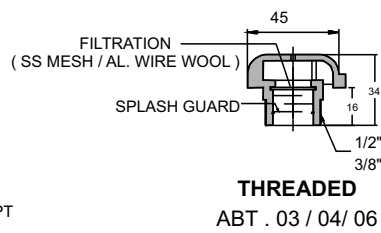
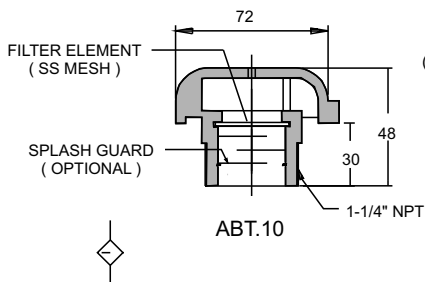


BREATHER



- STURDY ALUMINIUM DIE CAST CONSTRUCTION
- FILTRATION S.S. 100 MESH STANDARD
- FOR RUGGED APPLICATION
- METAL STRAINER STANDARD SUPPLY
- GASKET AND MOUNTING HARDWARE SUPPLIED
- OPTIONAL SPLASH GUARD TO MINIMISE SPILLAGE



AB T	- 10	N	- * *	- * *
SERIES	SIZE	THREADS	FEATURE	STRAINER
	INCH		SPECIAL #	C * OPTIONAL
AB	T - THREADED	N - NPT B - BSPP	NV - NON VENTING SG - SPLASH GUARD	
				L 6 - 152 MM
	F - FLANGE			L 8 - 203 MM

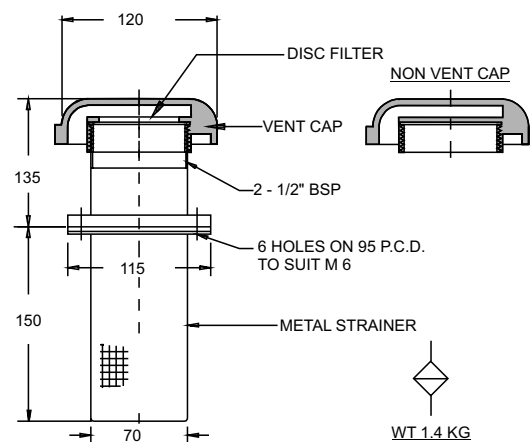
HIGH NECK

- SUITABLE FOR GEN SETS / MOBILE APPLICATION

MODEL CODE : ASSEMBLY

FSB	60	HN	* *
SERIES	SIZE	TYPE	FEATURE
	CFM		OPTIONAL #
FSB	60	HN - HIGH NECK	NV - NON VENTING

OPTIONAL / SPECIAL FEATURE - OMIT IF NOT REQUIRED



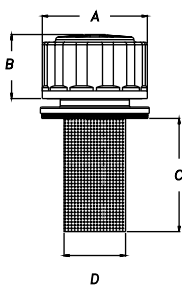
FSB - 60

WT 1.4 KG

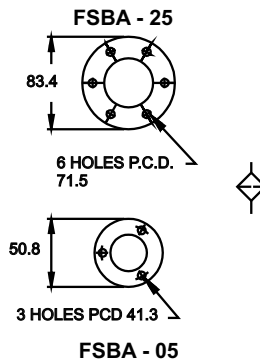
BREATHER

- ALUMINIUM DIE CAST - VENTS UNDERNEATH
- FILTRATION 40 MICRONS STANDARD / OPTIONAL 10 MICRONS
- AIR FLOWS TO 25 CFM (750 LPM)
- METAL STRAINER - STANDARD
- HARDWARE INCLUDES GASKET

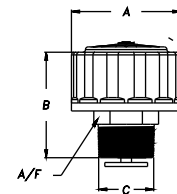
FLANGE TYPE



FSBA - **



THREAD TYPE



TBA - **

MODEL	DISPLACEMENT		RATING MICRONS	RATING					WT KGS
				A	B	C*	D	A / F	
FSBA - 05	150	LPM	40						
FSBA - 05 - 10	90	LPM	10	56	41	65	28	-	0.20
FSBA - 25	720	LPM	40						
FSBA - 25 - 10	400	LPM	10	82	50	91	48	-	0.40
TBA - 05	150	LPM	40	56	66	1/2*B/N	-	25.4	0.20
TBA - 05 - 10	90	LPM	10						
TBA - 25	720	LPM	40	82	85	1-1/4*B/N	-	42.0	0.30
TBA - 25 - 10	400	LPM	10						

MODEL CODE : ASSEMBLY

FSB*	- 25	- **	- **	- **
SERIES	CAPACITY CFM	FILTRATION MICRONS	STRAINER C* OPTIONAL(2)	FEATURE SPECIAL
FSBA - 05	05	40 - STD 10 - OPTIONAL	STD	DS - DIP STICK
FSBA - 25	25		L 4 - STD # L 6 - 152 mm L 8 - 203	DS - DIP STICK SG - SPLASH GUARD
TBA - 05	05		1/2*B/N	P5 - Pr 5 PSI SG - SPLASH GUARD
TBA - 25	25		1-1/4* B/N	DS - DIP STICK

OPTIONAL / SPECIAL FEATURE (CONSULT FACTORY) - OMIT IF NOT REQUIRED

DIMENSIONS IN MM FOR REFERENCE ONLY